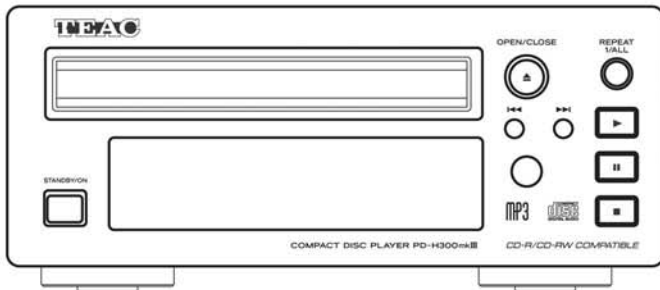


# TEAC



## SERVICE MANUAL

# PD-H300mkIII

Compact Disc Player

COMPACT disc DIGITAL AUDIO MP3 WMA

PD-H300mk III : EUR, UK, T/C

### CONTENTS

1	SPECIFICATIONS .....	2
2	IC SPECIFICATIONS .....	3
3	EXPLODED VIEWS AND PARTS LIST .....	7
4	PC BOARDS AND PARTS LIST .....	9
5	INCLUDED ACCESSORIES .....	13
6	REMOTE CONTROL LAYOUT .....	13
7	SCHEMATIC DIAGRAMS .....	14

### NOTES

- PC boards shown are viewed from parts side.
- The parts with no reference number or no parts number in the exploded views are not supplied.
- As regards the resistors and capacitors, refer to the circuit diagrams contained in this manual.
- ⚠ Parts marked with this sign are safety critical components. They must be replaced with identical components – refer to the appropriate parts list and ensure exact replacement.

# 1 SPECIFICATIONS

## CD Player

Pickup . . . . .	3-beam, semiconductor laser
Frequency Response . . . . .	20 Hz - 20 kHz $\pm$ 2dB
Total Harmonic Distortion . . . . .	Less than 0.02 % (1 kHz)
Signal-to-Noise Ratio (S/N) . . . . .	More than 90 dB (IHF-A)
Outputs . . . . .	Analog: RCA x 1set Digital: TOS OPTICAL
Input/Output . . . . .	Remote control connection x 2(RCA)
Output level . . . . .	Analog: 2.0 Vrms
Playable Disc . . . . .	CD-DA/CD-R/CD-RW
Playable format . . . . .	CD-DA/MP3/WMA

## General

Power Requirement . . . . .	AC 230 V, 50 Hz
Power Consumption . . . . .	13 W
Dimensions (W x H x D) . . . . .	215 x 93 x 305 mm
Weight (Net) . . . . .	2.8 kg
Operating temperature . . . . .	+5° C - +35° C
Operating humidity . . . . .	5% to 85% (no condensation)
Storage temperature . . . . .	-20° C - +55° C

Note:

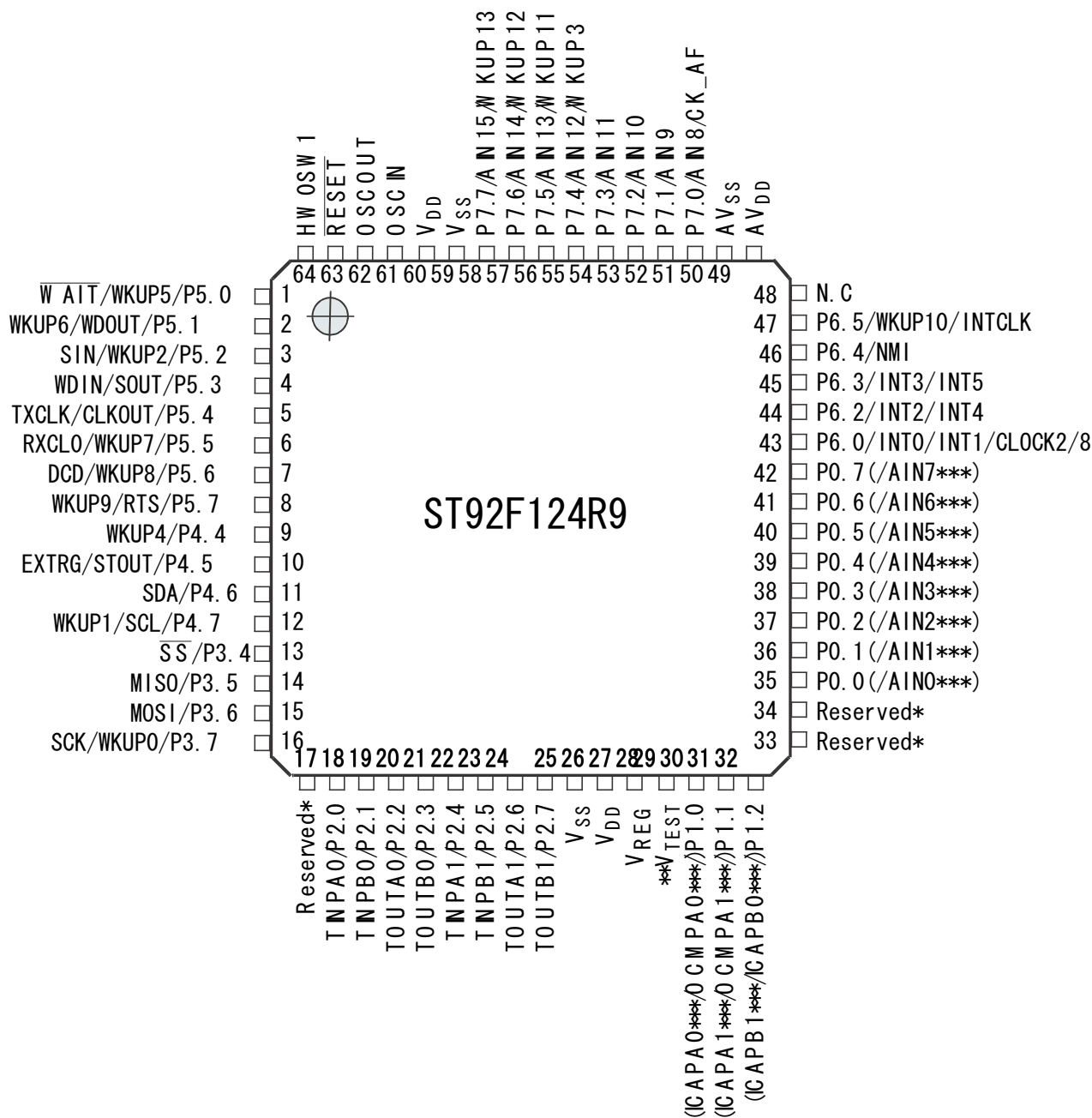
- This unit can play MP3 files with sampling frequency 44.1 kHz or 48 kHz, bit-rate 320 kbps or less.
- This unit can play WMA files with sampling frequency 44.1kHz, bit-rate 192 kbps or less.
- Design and specifications are subject to change without notice.
- Weight and dimensions are approximate.
- Illustrations may differ slightly from production models.

## Standard Accessory

- RCA cable x 1
- Remote control connection cord (RCA) x 1
- Remote control unit (RC-1039) x 1 (for Silver Version only)
- Remote control unit (RC-1094) x 1 (for Black Version only)
- Batteries (AA) x 2
- Owner' s manual x 1
- Warranty card x 1

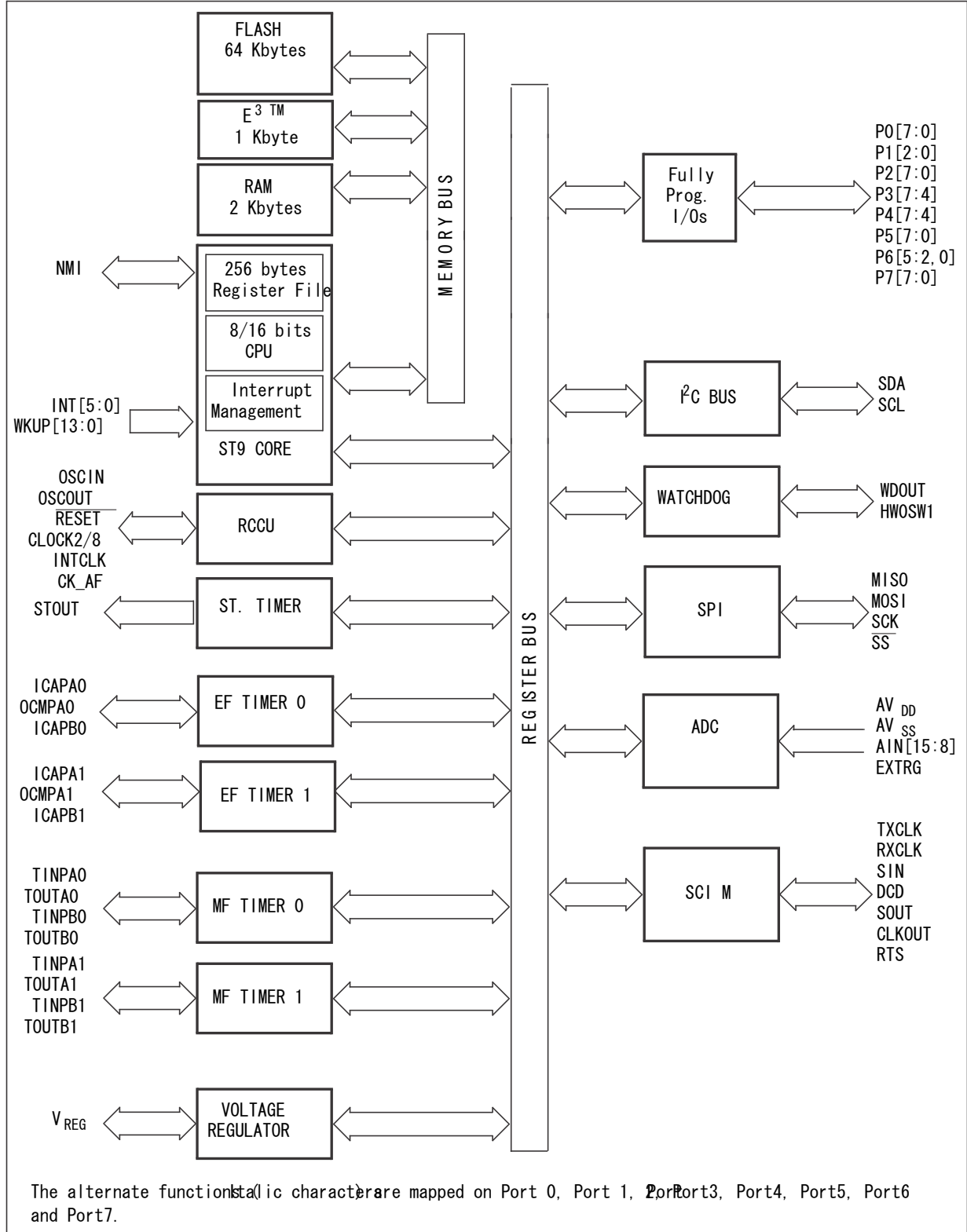
## 2 IC SPECIFICATIONS

HOST MICROCOMPUTER: ST92F124R9



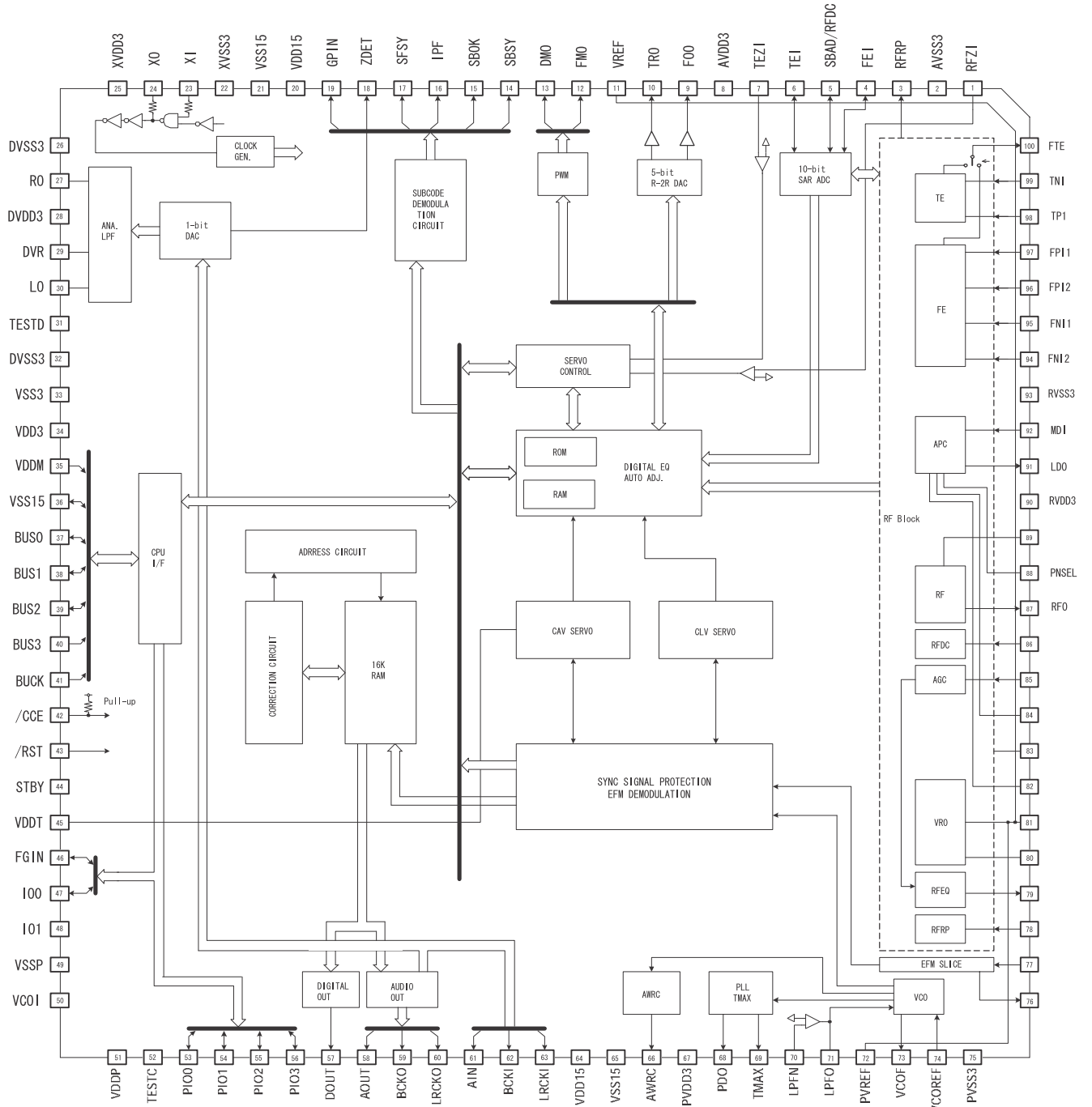
HOST MICROCOMPUTER: ST92F124R9

ST92F124R9: Architectural Block Diagram



# CD Block System:TC94A54MFG

## Pin Configuration and Block Diagram



## Power Driver IC for CD Player: TA2125AF

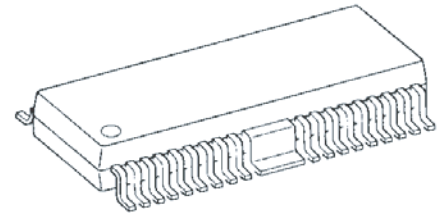
TA2125AF is power driver IC developed for CD players.

This IC have built-in 4 channel BTL power amplifiers and 1 channel H-Bridge driver.

Which drives focus-coil and tracking coil for 3-beam pick-up head, disc motor, feed motor and loading motor.

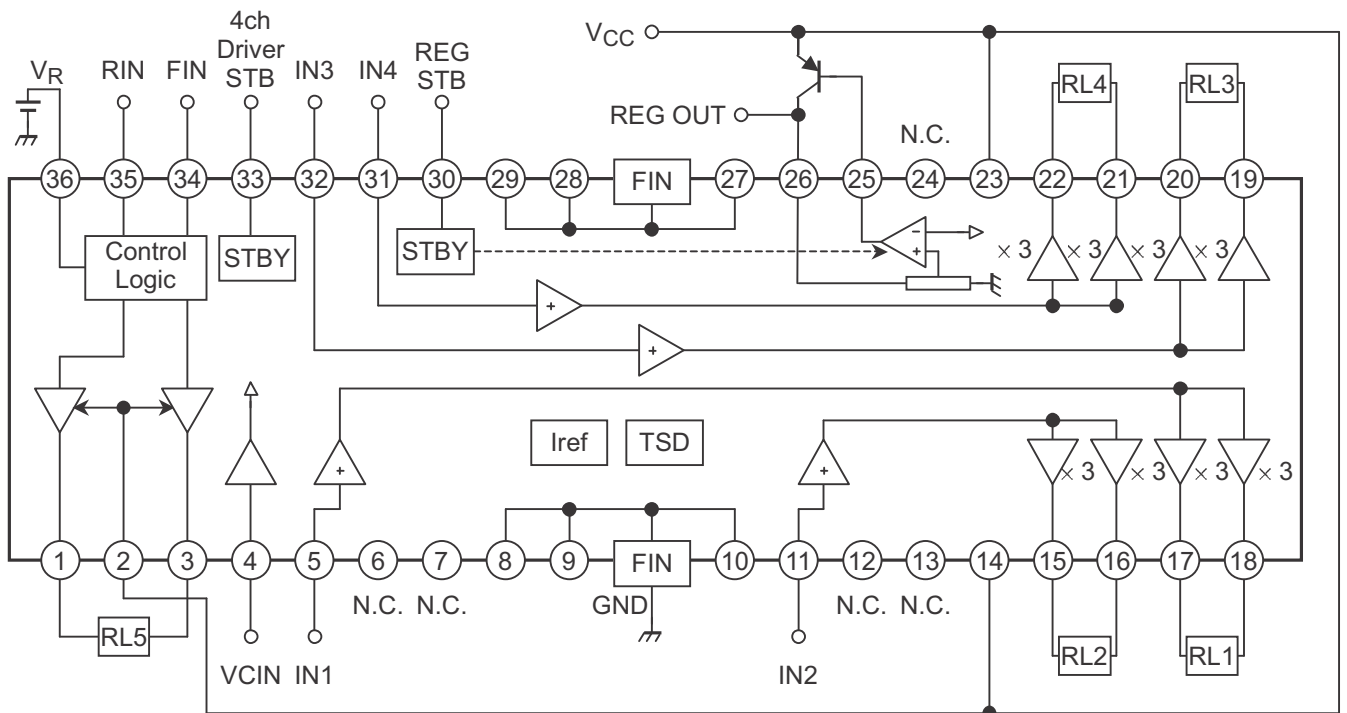
### Featuers

- 4 channel BTL linear drivers  
High output power:  $V_{out} = 5.1 V_{p-p}$  ( $V_{CC} = 8 V$ ,  $R_L = 8 \Omega$ )  
Stand-by switch for BTL drivers
- 1 channel H-Bridge:  $V_{CE} (H) + V_{CE} (L) = 1.3 V$  ( $V_R = V_M = 8 V$ ,  $I_O = 200 mA$ )  
Logic control (forward, revers, brake, stand-by)
- Punch through current restriction diode for H-bridge
- 5 V regulator reference amp (with external output Tr.)
- Thermal shut down protection
- Operating supply voltage range:  $V_{CC} = 5.0-9.0 V$

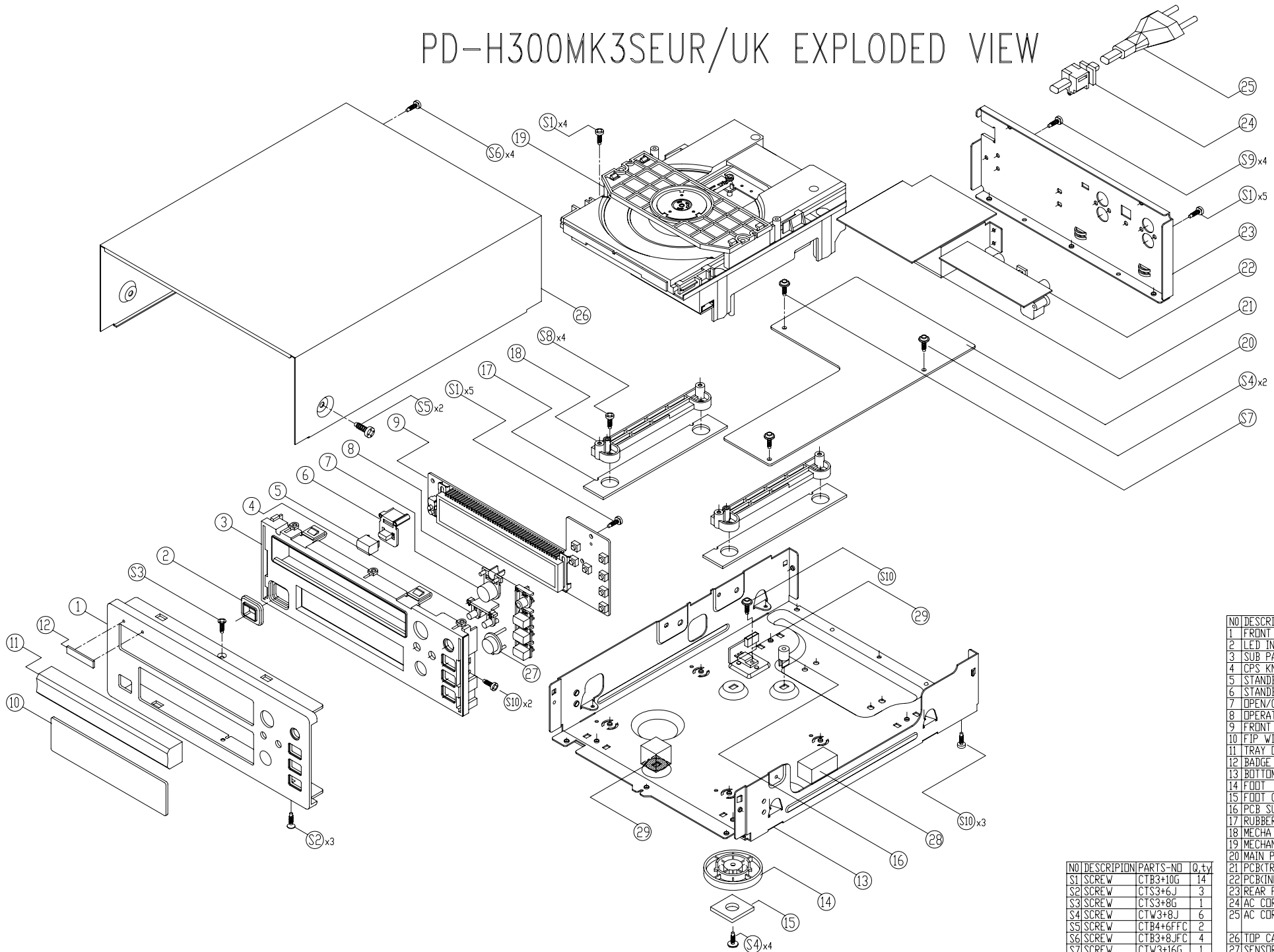


HSOP36-P-375-0.80

### Block Diagram



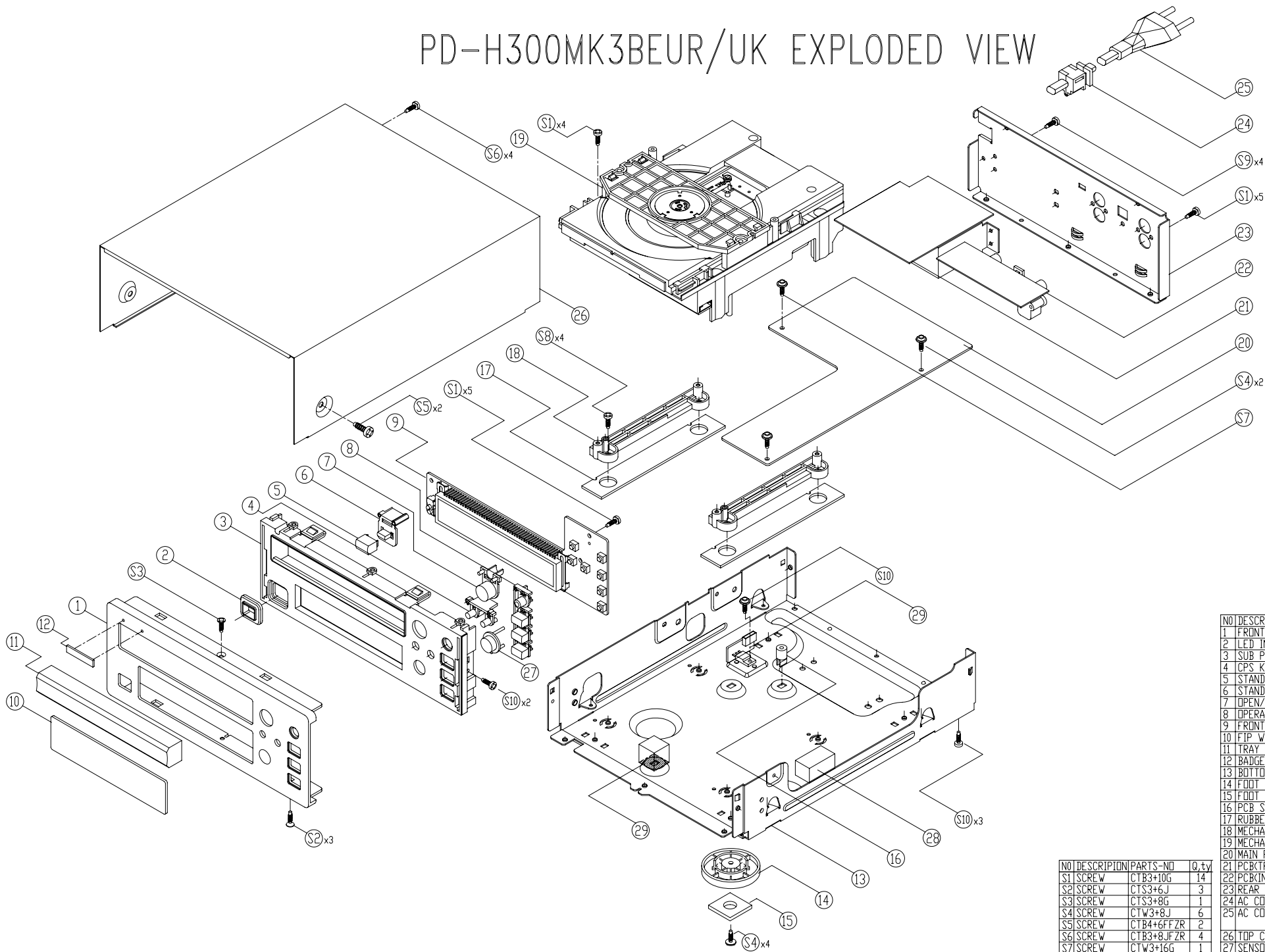
# PD-H300MK3SEUR/UK EXPLODED VIEW



NO	DESCRIPTION	PARTS-NO	Q.ty
1	FRONT PANEL(AL)	CKM2A073C35	1
2	LED INDICATOR	CGL1A133	1
3	SUB PANEL	CGW2A217M7ZG5	1
4	CPS KNDB	CBT1A493MBC22	1
5	STANDBY CAP	CBT1A495M7G5	1
6	STANDBY KNDB	CBT1A483	1
7	OPEN/CLOSE KNDB	CBT1A385M7XG5	1
8	OPERATION KNDB	CBT1A494M7WG5	1
9	FRONT PCB	COPI1851C	1
10	TRAY WINDOW	CGUIA154Y	1
11	TRAY ORNAMENT	CGRIA350M7YG5	1
12	BADGE	KGBIA047Z	1
13	BOTTOM CHASSIS	CUA2A158	1
14	FOOT	CKL2A055H45	4
15	FOOT CUSHION	KHGA050Y	4
16	PCB SUPPORT	CHEIA023	1
17	RUBBER SUPPORT	KHGA135	2
18	MECHA SUPPORT	CMHIA074	2
19	MECHANISM	CJDKSL2130CCM	1
20	MAIN PCB	COPI1851C	1
21	PCB(TRANS)		1
22	PCB(INOUT)		1
23	REAR PANEL	CKF2A154X	1
24	AC CORD BUSHING	KHRIA028	1
25	AC CORD	CJA2B043Z(AEUR)	1
		CJA2E045Z(AUK)	1
26	TOP CABINET	CKC1B089S35	1
27	SENSOR WINDOW	CGUIA261A8	1
28	CUSHION	CHGA054	1
29	IC PCB		1
30			

NO	DESCRIPTION	PARTS-NO	Q.ty
S1	SCREW	CTB3+10G	14
S2	SCREW	CTS3+6J	3
S3	SCREW	CTS3+8G	1
S4	SCREW	CTW3+8J	6
S5	SCREW	CTB4+6FFC	2
S6	SCREW	CTB3+8JFC	4
S7	SCREW	CTW3+16G	1
S8	SCREW	CHD5A009	4
S9	SCREW	CTB3+8JFZ	4
S10	SCREW	CTB3+6J	6

# PD-H300MK3BEUR/UK EXPLODED VIEW

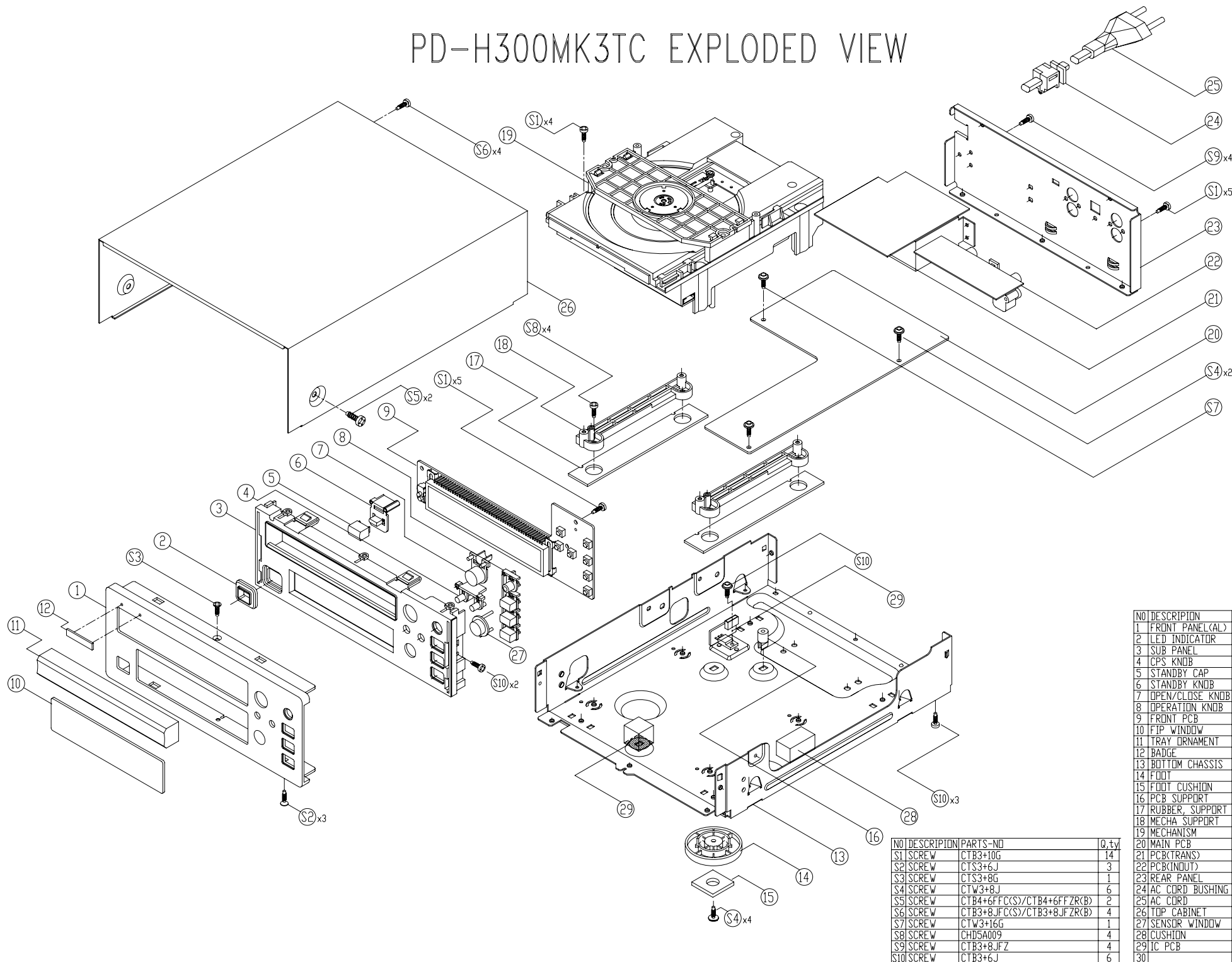


NO	DESCRIPTION	PARTS-NO	Q.ty
1	FRONT PANEL(AL)	CKM2A073YC61	1
2	LED INDICATOR	CGL1A133	1
3	SUB PANEL	CGW2A217K122	1
4	CPS KNOB	CBT1A493MBC22	1
5	STANDBY CAP	CBT1A495K122	1
6	STANDBY KNOB	CBT1A483	1
7	OPEN/CLOSE KNOB	CBT1A385XK122	1
8	OPERATION KNOB	CBT1A494WK122	1
9	FRONT PCB	CDP11851C	1
10	FIP WINDOW	CGU1A154Y	1
11	TRAY ORNAMENT	CGR1A350K122	1
12	BADGE	CGB1A047Y	1
13	BOTTOM CHASSIS	CUA2A158	1
14	FOOT	CKL2A055H45	4
15	FOOT CUSHION	KHG1A050Y	4
16	PCB SUPPORT	CHE1A023	1
17	RUBBER SUPPORT	KHG1A135	2
18	MECHA SUPPORT	CMH1A074	2
19	MECHANISM	CJDKSL2130CCM	1
20	MAIN PCB	CDP11851C	1
21	PCB(TRANS)		1
22	PCB(INDUT)		1
23	REAR PANEL	CKF2A154X	1
24	AC CORD BUSHING	KHR1A028	1
25	AC CORD	CJAE045ZA(EUR)	1
		CJAE045ZA(UK)	1
26	TOP CABINET	CKCTB089S1Z	1
27	SENSOR WINDOW	CGU1A261A8	1
28	CUSHION	CHG1A054	1
29	IC PCB		1
30			

NO	DESCRIPTION	PARTS-NO	Q.ty
S1	SCREW	CTB3+10G	14
S2	SCREW	CTS3+6J	3
S3	SCREW	CTS3+8G	1
S4	SCREW	CTW3+8J	6
S5	SCREW	CTB4+6FFZR	2
S6	SCREW	CTB3+8JFZR	4
S7	SCREW	CTW3+16G	1
S8	SCREW	CHD5A009	4
S9	SCREW	CTB3+8JFZ	4
S10	SCREW	CTB3+6J	6



# PD-H300MK3TC EXPLODED VIEW



NO	DESCRIPTION	PARTS-NO	Q.ty
1	FRONT PANEL (AL)	CKM2A073ZC35(S)/*YC61(B)	1
2	LED INDICATOR	CGL1A133	1
3	SUB PANEL	CGW2A217M7ZG5(S)/*K122(B)	1
4	CPS KNOB	CBT1A493MBC22	1
5	STANDBY CAP	CBT1A495M7G5(S)/*K122(B)	1
6	STANDBY KNOB	CBT1A483	1
7	OPEN/CLOSE KNOB	CBT1A385M7XG5(S)/*XK122(B)	1
8	OPERATION KNOB	CBT1A494M7WG5(S)/*WK122(B)	1
9	FRONT PCB	CDP11851E	1
10	FIP WINDOW	CGU1A154Y	1
11	TRAY ORNAMENT	CGR1A350M7YG5(S)/*YK122(B)	1
12	BADGE	KGB1A047Z	1
13	BOTTOM CHASSIS	CUA2A158	1
14	FOOT	CKL2A055H45	4
15	FOOT CUSHION	KHG1A050Y	4
16	PCB SUPPORT	CHE1A023	1
17	RUBBER SUPPORT	KHG1A135	2
18	MECHA SUPPORT	CMH1A074	2
19	MECHANISM	CJDKSL2130CCMZ	1
20	MAIN PCB	CDP11851E	1
21	PCB(TRANS)		1
22	PCB(INDUT)		1
23	REAR PANEL	CKF2A154W	1
24	AC CORD BUSHING	KHR1A028	1
25	AC CORD	CJA523F BYA	1
26	TOP CABINET	CXC1B089S35Z(S)/*S1Z(B)	1
27	SENSOR WINDOW	CGU1A261A8	1
28	CUSHION	CHG1A054	1
29	IC PCB		1
30			1

NO	DESCRIPTION	PARTS-NO	Q.ty
S1	SCREW	CTB3+10G	14
S2	SCREW	CTS3+6J	3
S3	SCREW	CTS3+8G	1
S4	SCREW	CTW3+8J	6
S5	SCREW	CTB4+6FFC(S)/CTB4+6FFZR(B)	2
S6	SCREW	CTB3+8JFC(S)/CTB3+8JFZR(B)	4
S7	SCREW	CTW3+16G	1
S8	SCREW	CHD5A009	4
S9	SCREW	CTB3+8JFZ	4
S10	SCREW	CTB3+6J	6

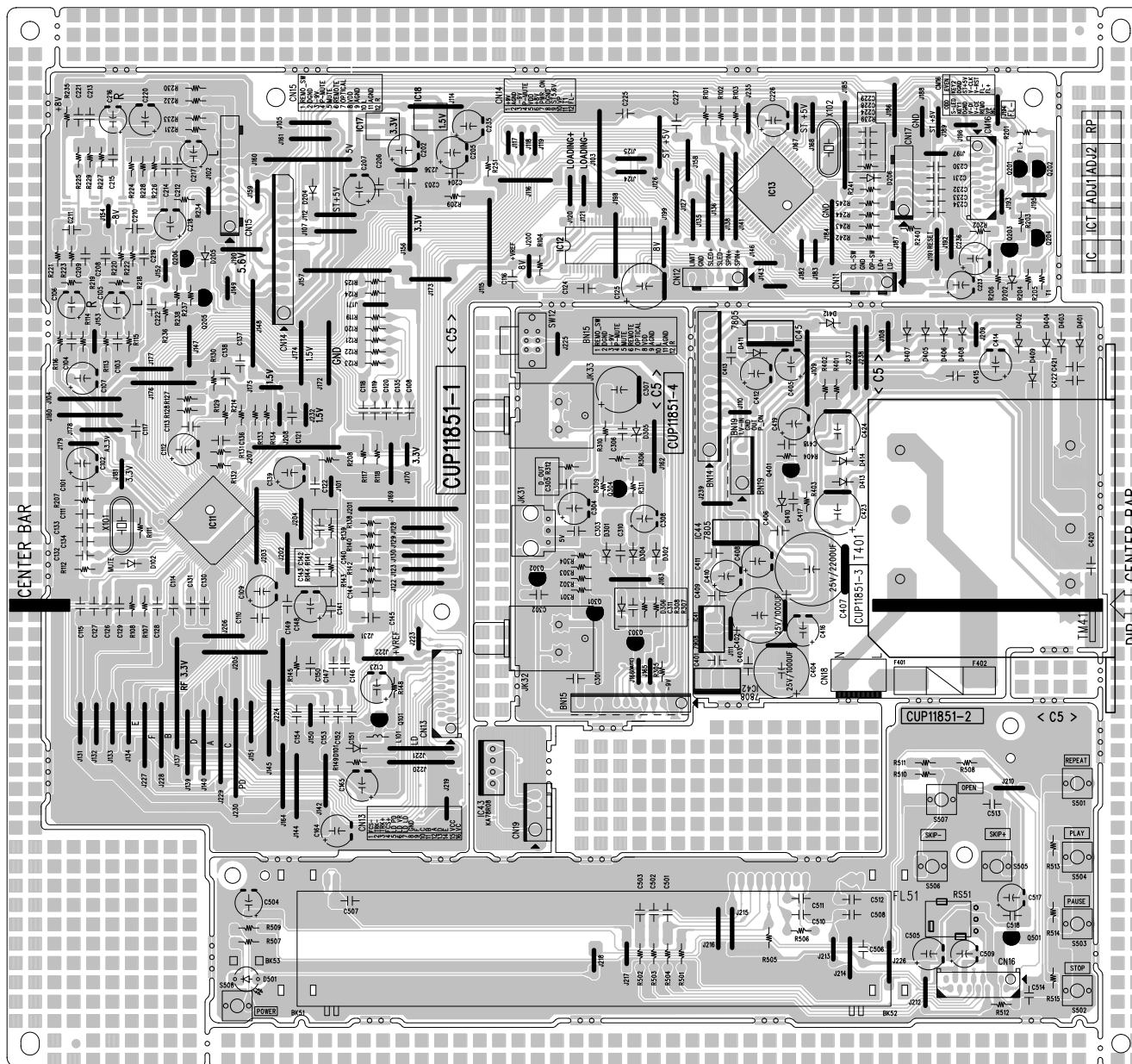
# PD-H300mk III

## EXPLODED VIEW LIST (PD-H300mk III)

REF. NO.	PARTS NO.	DESCRIPTION	REMARKS
1	CKM2A073ZC35	FRONT PANEL (AL)	
2	CGL1A133	LED INDICATOR	
3	CGW2A217M7ZG5	SUB PANEL	
4	CBT1A493MBC22	CPS KNOB	
5	CBT1A495M7G5	STANDBY CAP	
6	CBT1A483	STANDBY KNOB	
7	CBT1A385M7XG5	OPEN CLOSE KNOB	
8	CBT1A494M7WG5	OPERATION KNOB	
9	COP11851C	FRONT PCB	
10	CGU1A154Y	FIP WINDOW	
11	CGR1A350M7G5	TRAY ORNAMENT	
12	KGB1A047Z	BADGE	
13	CUA2A158	BOTTOM CHASSIS	
14	CKL2A055H45	FOOT	
15	KHG1A05DY	FOOT CUSHION	
16	CHE1A023	PCB SUPPORT	
17	KHG1A135	RUBBER, SUPPORT	
18	CMH1A074	MECHA SUPPORT	
19	CJDKSL2130CCM	MECHANISM	
20	COP11851C	MAIN PCB	
21		PCB (TRANS)	
22		PCB (INOUT)	
23	CKF2A154Z	REAR PANEL	
24	KHR1A02B	AC CORD BUSHING	
25	⚠ CJA2B043ZA	AC CORD	
26	CKC1B089S35	TOP CABINET	
27	CGU1A261A8	SENSOR WINDOW	
28	CHG1A054	CUSHION	
29		IC PCB	
S1	CTB3+10G	SCREW	
S2	CTS3+8JFC	SCREW	
S3	CTS3+10G	SCREW	
S4	CTW3+8J	SCREW	
S5	CTB4+6FFC	SCREW	
S6	CTB3+8JFC	SCREW	
S7	CTW3+16G	SCREW	
S8	CHD5A009	SCREW	
S9	CTB3+8JFZ	SCREW	
S10	CTB3+6J	SCREW	

# 4 PC BOARDS AND PARTS LIST

MAIN PCB (TOP VIEW)





MAIN PCB ASSY (1/4)

REF. NO.	PARTS NO.	DESCRIPTION
	COP11851B	MAIN+FRONT PCB ASS' Y (PD-H300MK2M)
	CUP11851Z	PCB, MAIN+FRONT
C165, 207	CCEA1AH101T	CAP, ELECT
C123, 164, 226 235, 408, 410,	CCEA1CH101T	CAP, ELECT
412		
C218	CCEA1CH220T	CAP, ELECT
C125, 307	CCEA1CH221T	CAP, ELECT
C102, 109, 112 112, 139, 148	CCEA1CH470T	CAP, ELECT
202, 205, 304		
C423, 424	CCEA1CH471T	CAP, ELECT
C505	CCEA1CKS101T	CAP, ELECT
C220, 236	CCEA1EH101T	CAP, ELECT
C216-217, 223	CCEA1HH100T	CAP, ELECT
C416	CCEA1HH101T	CAP, ELECT
C107-419	CCEA1HH220T	CAP, ELECT
C405	CCEA1HH470T	CAP, ELECT
C105-106, 308 C509, 517	CCEA1HH4R7T CCEA1HKS100T	CAP, ELECT CAP, ELECT
C504	CCEA1HKS1ROT	CAP, ELECT
C414	CCEA1JH470TS	CAP, ELECT
C212-213	HCBS1C152MXT	CAP, CERAMIC
C103-104, 138 301-302	HCBS1C222MXT	CAP, CERAMIC
C146, 208-209 C222, 230-234 C108-111, 137 113-117, 121, 122, 142, 143,	HCBS1C472MXT HCBS1H101KBT HCBS1H103ZFT	CAP, CERAMIC CAP, CERAMIC CAP, CERAMIC
145, 219, 221, 224		
C101-110, 124, 132, 136, 141, 147, 149, 151,	HCBS1H104ZFT	CAP, CERAMIC
153, 203-204 206, 225, 303, 306, 310-311, 401, 403, 406, 409, 411, 413		
C415, 417-418, 420-422, 506 507-508, 512 513-514, 518 C118-120, 133	HCBS1H104ZFT HCBS1H120JCT	CAP, CERAMIC CAP, CERAMIC
134-135, 305 C228-229	HCBS1H150JCT	CAP, CERAMIC
C140, 152	HCBS1H153KBT	CAP, CERAMIC
C210-211	HCBS1H181KBT	CAP, CERAMIC
C214-215	HCBS1H271KBT	CAP, CERAMIC
C130-131	HCBS1H333ZFT	CAP, CERAMIC
C144, 501-503	HCBS1H470JT	CAP, CERAMIC
C510-511	HCBS1H470JT	CAP, CERAMIC
C128-129	HCBS1H471KBT	CAP, CERAMIC
C126-127	HCBS1H473ZFT	CAP, CERAMIC
C227	HCBS1H561KBT	CAP, CERAMIC
C154	HCBS1H680JT	CAP, CERAMIC
C150	HCBS1H681KBT	CAP, CERAMIC
D101-102, 204, 205-206, 301,	HVD1SS133MT	DIODE

MAIN PCB ASSY (2/4)

REF. NO.	PARTS NO.	DESCRIPTION
302-304, 306, 411	HVD1SS133MT	DIODE
D202	HVDMTZJ5. 1BT	DIODE, ZENER
D305	HVDMTZJ9. 1BT	DIODE, ZENER
D501	HVD342YCTB7T089	L. E. D, YELLOW
D401-409, 413, 414	KVD1N4003SRT	DIODE
D410	HVDMTZJ30BT	DIODE, ZENER
D412	HVDMTZJ6. 2BT	DIODE, ZENER
F401-402	△ KJCF6S	HOLDER, FUSE
L101	HLQ02C100KT	COIL, AXAIL
Q101, 304	HVTKTA1266YT	T. R
Q201	HVTKTC3203YT	T. R
Q202	HVTKSC2316YT	T. R
Q203	HVTKSA1175YT	T. R
Q204	HVTKSC2785YT	T. R
Q205, 303	HVTKRA104MT	T. R
Q206, 501	HVTKRC107MT	T. R
Q301-302	HVTKTD1302T	T. R
Q401	HVTKSA916YT	T. R
R101-103	CRD20TJ183T	RES, CARBON
R104	CRD20TJ471T	RES, CARBON
R107	CRD20TJ682T	RES, CARBON
R108, 311, 506	CRD20TJ332T	RES, CARBON
R111	CRD20TJ105T	RES, CARBON
R112, 127-129, 131-134	CRD20TJ104T	RES, CARBON
R113-114	CRD20TJ271T	RES, CARBON
R115-116, 202, 206, 240, 508,	CRD20TJ103T	RES, CARBON
512		
R130, 234-235, 310, 502-504	CRD20TJ221T	RES, CARBON
R139	CRD20TJ154T	RES, CARBON
R140-149, 207-	CRD20TJ1R0T	RES, CARBON
209, 214		
R141, 145, 236	CRD20TJ223T	RES, CARBON
R142, 228-229	CRD20TJ153T	RES, CARBON
R143, 230-231, 237, 404	CRD20TJ473T	RES, CARBON
R144	CRD20TJ683T	RES, CARBON
R148, 239, 312	CRD20TJ100T	RES, CARBON
R201, 203	CRD20TJ222T	RES, CARBON
R204	CRD20TJ101T	RES, CARBON
R205, 232, 233,	CRD20TJ102T	RES, CARBON
238, 306, 401, 402, 501, 505, 511, 515		
R218-221	CRD20TJ392T	RES, CARBON
R222-223, 226-	CRD20TJ822T	RES, CARBON
227		
R224-225	CRD20TJ123T	RES, CARBON
R241-245	CRD20TJ470T	RES, CARBON
R301, 304, 307- 308	CRD20TJ472T	RES, CARBON
R302-303, 309	CRD20TJ474T	RES, CARBON
R117-125, 138, 251	CRD20TJ562T	RES, CARBON
R305	CRD20TJ224T	RES, CARBON
R403	CRD20TJ122T	RES, CARBON

# PD-H300mk III

## MAIN PCB ASSY (3/4)

REF. NO.	PARTS NO.	DESCRIPTION
R507	CRD20TJ151T	RES. CARBON
R510-514	CRD20TJ152T	RES. CARBON
R509-513	CRD20TJ182T	RES. CARBON
S501-508	CST1A012ZT	SW. TACT
	C8ESM800	FLUX
	H2K31161	SOLDER, WIRE
	H2K50301	SOLDER, BAR
	K4FH300	TAPE, PROTECTIVE
	K4FM073	TAPE, BOTH SIDE
BK51-52	CMD1A209	BRACKET, FLT
BK53	CMD1A376	SUPPORT, LED
BN14	CWB1C912160BM	WIRE ASS'Y
BN15	CWZPDH300MKBN15	WIRE ASS'Y (L, R-SHIELD)
BN19	CWB1C904100BM	WIRE ASS'Y
CM16	CJP15GA117ZY	WAFER, CARD CABLE
CN11	CJP05GA19ZY	WAFER, STRAIGHT, 5PIN
CN12	CJP06GA19ZY	WAFER, STRAIGHT, 6PIN
CN13	CJP16GA117ZY	WAFER
CN14	CJP12GA01ZY	WAFER
CN15	CJP12GA19ZY	WAFER
CN16	CJP15GA117ZY	WAFER, CARD CABLE
CN17	CJP07GA19ZY	WAFER, STRAIGHT, 7PIN
CN18	CJP02KA060ZY	WAFER
CN19	CJP04GB03ZY	WAFER
C402, 404	CCEA1EH102E	CAP. ELECT

## MAIN PCB ASSY (4/4)

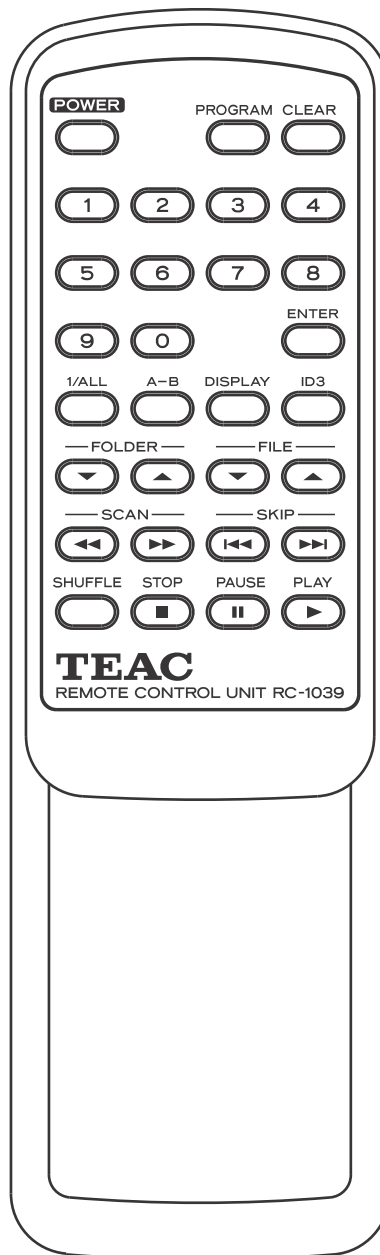
REF. NO.	PARTS NO.	DESCRIPTION
C407	CCEA1EH222E	CAP. ELECT
FL51	HFLHCA16SM11T	F. I. P. DVD RECODER
IC11	HVITC94A54MFG01	I. C. DIGITAL SERVO (CD/MP3/WMA)
IC12	HVITA2125AF	I. C. MOTOR DRIVER
IC13	HVIST92F124R9T6	I. C. MCU (FLASH 64K , TQFP64)
IC14-15	HV1OPA2134UA	I. C. OP AMP
IC16	HVIRH5VT28C	I. C. RESET
IC17	HVILM1117S-3V3	I. C. REGULATOR (3.3V)
IC18	HVILM1117S-1V5	I. C. L. D. O REGULATOR 1.5V FIXED
IC41-42	HV1KA7908A	I. C.
IC43	HV1KA78R08	I. C. REGULATOR
IC44-45	HVIMC7805C	I. C. REGULATOR
JK31	HJSTOTX177L	MODULE, OPTICAL (TX)
JK32	CJJ4N031Z	JACK, BOARD
JK33	CJJ4N032Z	JACK, BOARD
RS51	KRVH1MF802H3-2	REMOTE CONTROL UNIT
SW12	KSS2B016Z	SWITCH, SLIDE
TM41	CMC1A111	PLATE, EARTH
T401	△ CLT5M021YE	TRNAS. POWER (EUR)
X101	HOX16934A120C	CRYSTAL
X102	HOX04000E150C	CRYSTAL, 4MHZ

## 5 INCLUDED ACCESSORIES

### INCLUDED ACCESSORIES

REF. NO.	PARTS NO.	DESCRIPTION	REMARKS
	CARTPDH300MK2M	REMOCON	RC-1039
	CARTPDH300MK3B	REMOCON	RC-1094 (Black)
	CJS4M016Z	CORD, PIN (1WAY)	1-WAY / RCA Black
	CJS4N001Y	CORD, PIN	2-WAY / RCA Red/White
	CQX1A1067Z	INSTRUCTION MANUAL	9A10356300 E/F/S
	CQX1A1068Z	INSTRUCTION MANUAL	9A10356400 G/I/NL
	CQX1A645X	WARRANTY CARD	
	HABAAM1.5V	BATTERY	AA (R6) x2

## 6 REMOTE CONTROL LAYOUT




---

**TEAC CORPORATION** 3-7-3, Nakacho, Musashino-shi, Tokyo 180-8550, Japan Phone: (0422) 52-5081

---

TEAC AMERICA, INC. 7733 Telegraph Road, Montebello, California 90640 Phone: (323) 726-0303

---

TEAC CANADA LTD. 5939 Wallace Street, Mississauga, Ontario L4Z 1Z8, Canada Phone: (905) 890-8008

---

TEAC MEXICO, S.A. De C.V. Campesinos N° 184, Colonia Granjas Esmeralda, Delegacion Iztapalapa, CP 09810, México DF Phone: (525) 581-5500

---

TEAC UK LIMITE Unit 19 & 20, The Courtyards, Hatters Lane, Watford, Hertfordshire, WD18 8TE, U.K. Phone: (0845) 130-2511

---

TEAC EUROPE GmbH Bahnstrasse 12, 65205 Wiesbaden-Erbenheim, Germany Phone: 0611-71580

---

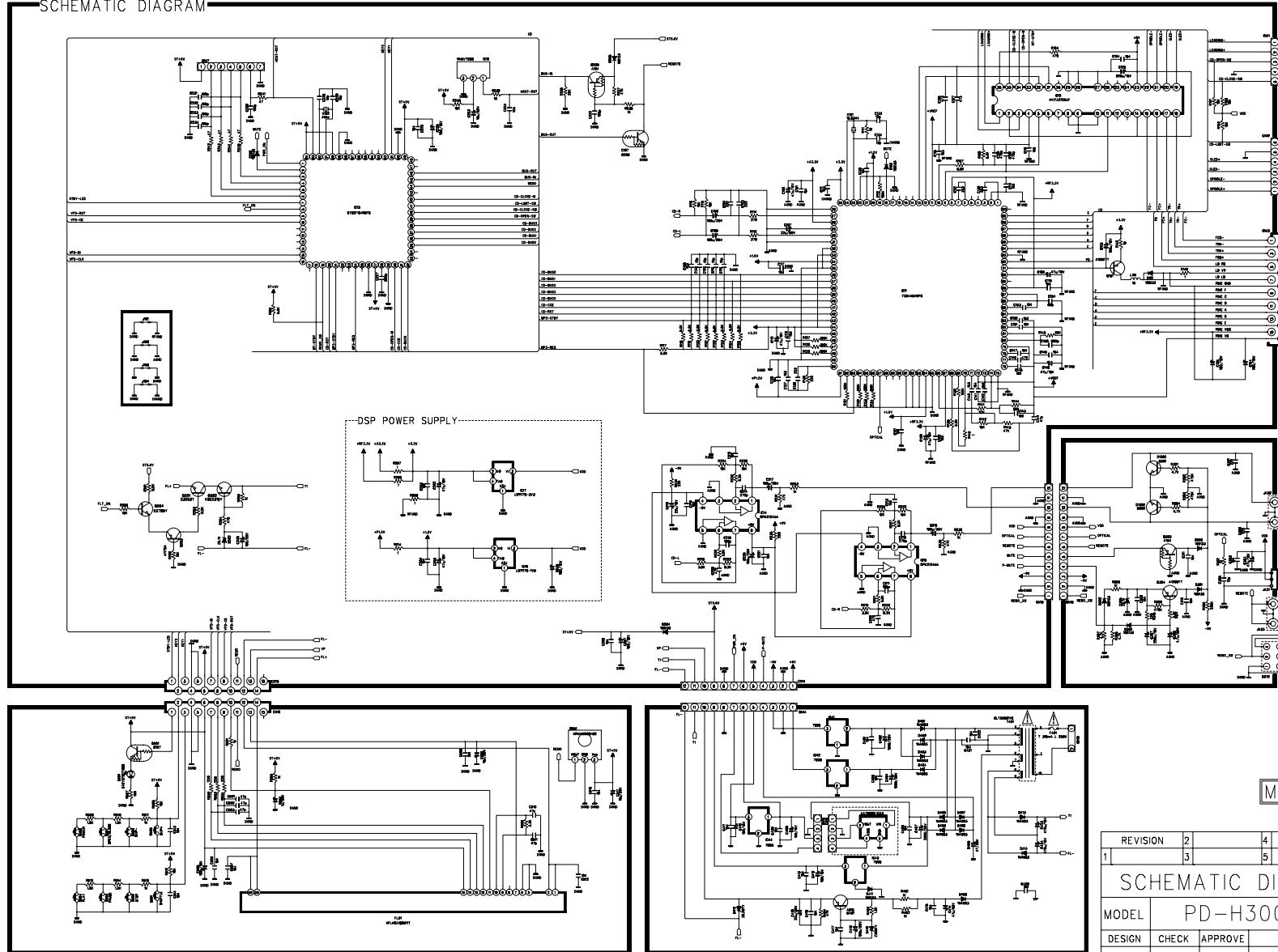
TEAC ITALIANA S.p.A. Via C. Cantù 9/A, 20092 Cinisello Balsamo, Milano, Italy Phone: 02-66010500

---

TEAC AUSTRALIA PTY., LTD. 280 William Street, Melbourne VIC 3000, Australia Phone: (03) 9672-2400  
A.B.N. 80 005 408 462

---

SCHEMATIC DIAGRAM

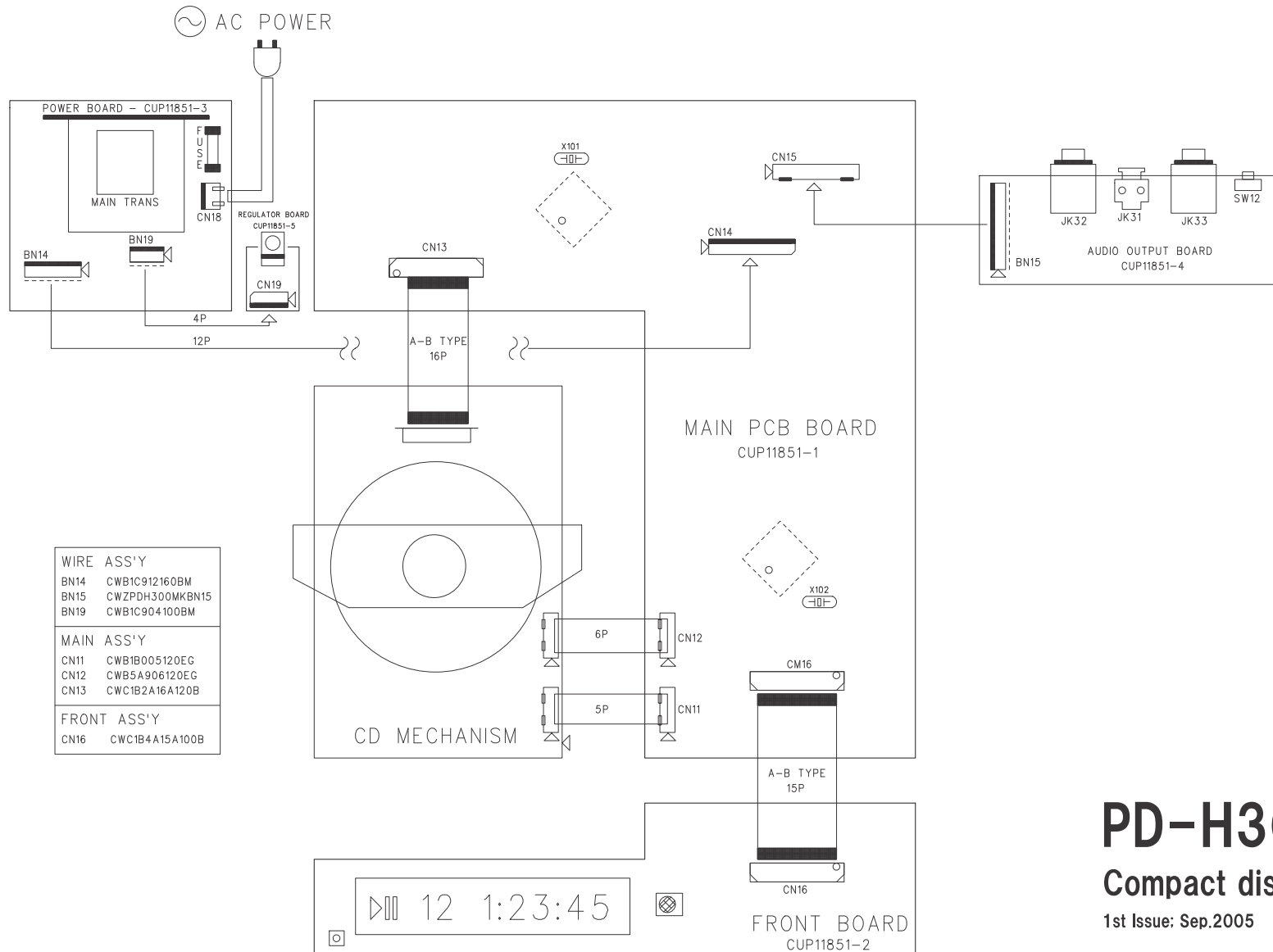


M/P  
 ISSUE  
 ANAM  
 MULTI. LAB  
 2004.02.22

REVISION	2	4	6
1	3	5	7
SCHEMATIC DIAGRAM			SHEET
MODEL	PD-H300MK3		1/1
DESIGN	CHECK	APPROVE	DRAWING NO
Y.H.W			1851SCMZ
08.02.22			



A  
B  
C  
D  
E



WIRE ASS'Y	
BN14	CWB1C912160BM
BN15	CWZPDH300MKBN15
BN19	CWB1C904100BM
MAIN ASS'Y	
CN11	CWB1B005120EG
CN12	CWB5A906120EG
CN13	CWC1B2A16A120B
FRONT ASS'Y	
CN16	CWC1B4A15A100B

# PD-H300mk III

## Compact disc player

1st Issue: Sep.2005